

NO. E1FF-3677

ISSUED: MAY.2012

REVISED: OCT.2015



**HOSHIZAKI  
SELF-CONTAINED CUBER**

**MODEL IM-130NE  
IM-130NE-21,-23  
IM-130WNE  
IM-130WNE-23**

**E1FF, E1FF-D001,-D002,-D003,-D004,-D020**

**PARTS LIST**

**[HE] [GRAM]**

A-1 JUL. 2011  
B-0 JAN. 2012  
B-1 OCT. 2012  
C-0 JAN. 2013  
D-0 JAN. 2014  
E-0 JAN. 2015

## AUXILIARY CODE

U - 1

The auxiliary code is the first two characters in the serial number. The first character indicates the production year. Years progress or regress in alphabetical order. The series of letters and skipped letters depend on UL listing, production, and model. See the auxiliary code(s) and corresponding year(s) on the front cover.

The second character indicates significant part changes within the same year. Base is "1" and this number advances for each change. If there is no significant part change at the turn of the year, this number starts from "0."

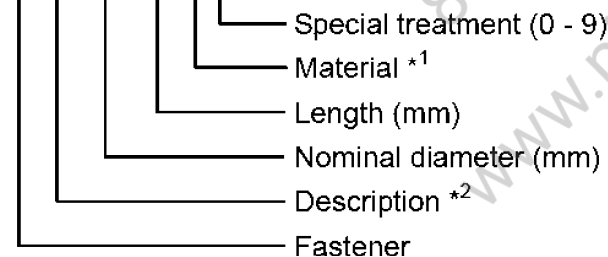
## MARKS LOCATED UNDER THE AUXILIARY CODE

- = Part deleted.
- x = Part deleted and replaced by "o" part.
- o = New part in place of "x" part.

## FASTENER PART NUMBER

### SCREWS

F S T 0 3 0 6 F 0

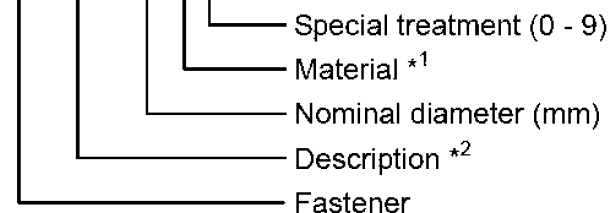


\*<sup>1</sup> **Material**

- F: Steel
- S: Austenitic stainless steel
- M: Martensitic stainless steel
- B: Copper alloy
- P: Polycarbonate
- N: Polyamide
- V: PVC
- A: ABS
- X: Polyacetal
- L: Aluminum

### NUTS & WASHERS

F W S P 0 5 S 0



\*<sup>2</sup> **Description**

- First letter
- S: Machine screw
- T: Tapping screw
- M: Wood screw
- B: Bolt
- W: Washer
- N: Nut

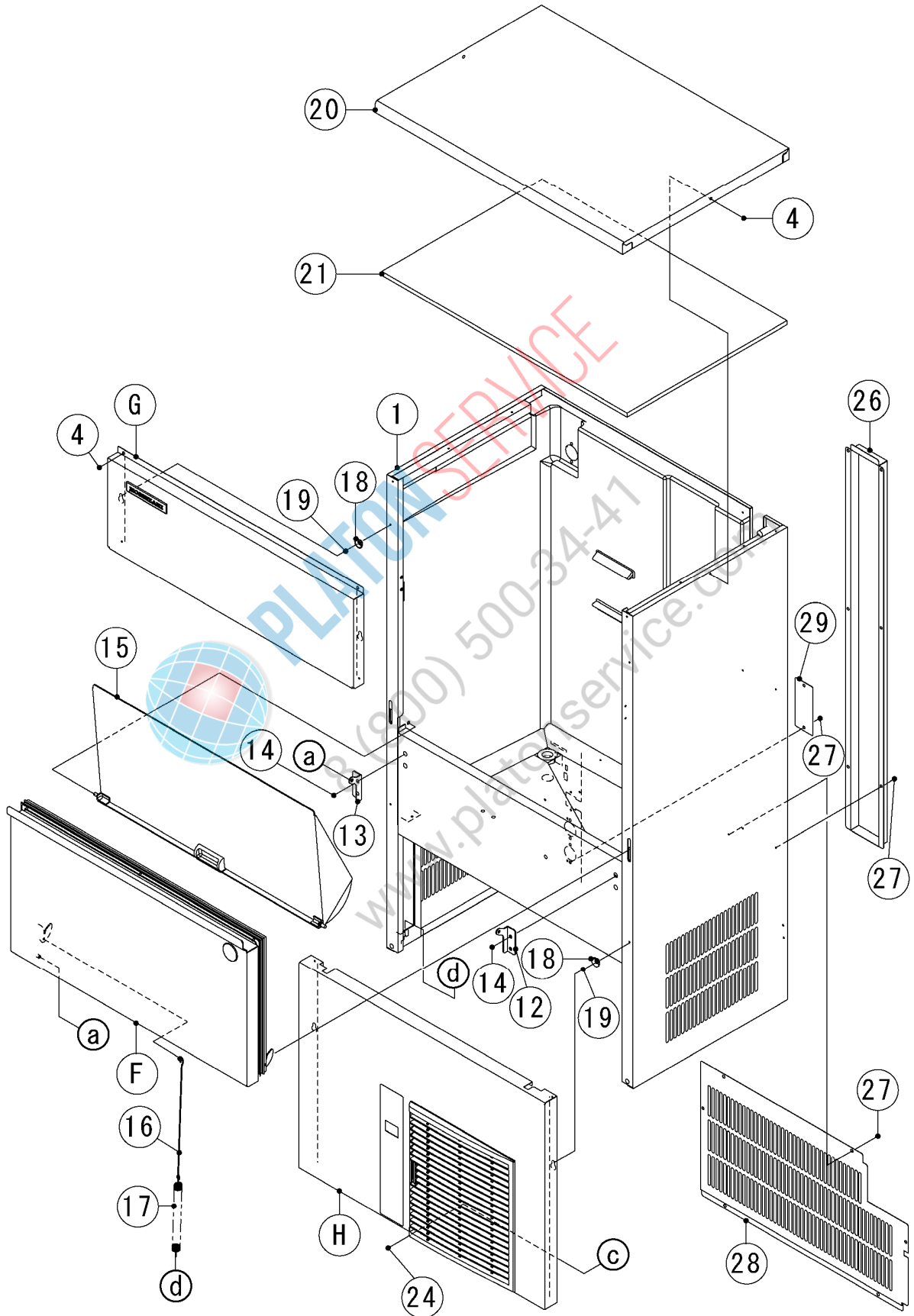
IM-100NE(-21,-23,-C)

IM-100WNE(-21,-23)

IM-130NE(-21,-23)

IM-130WNE(-23)

A. ICE CUBBER ASSY (1/2) (B-1) and later



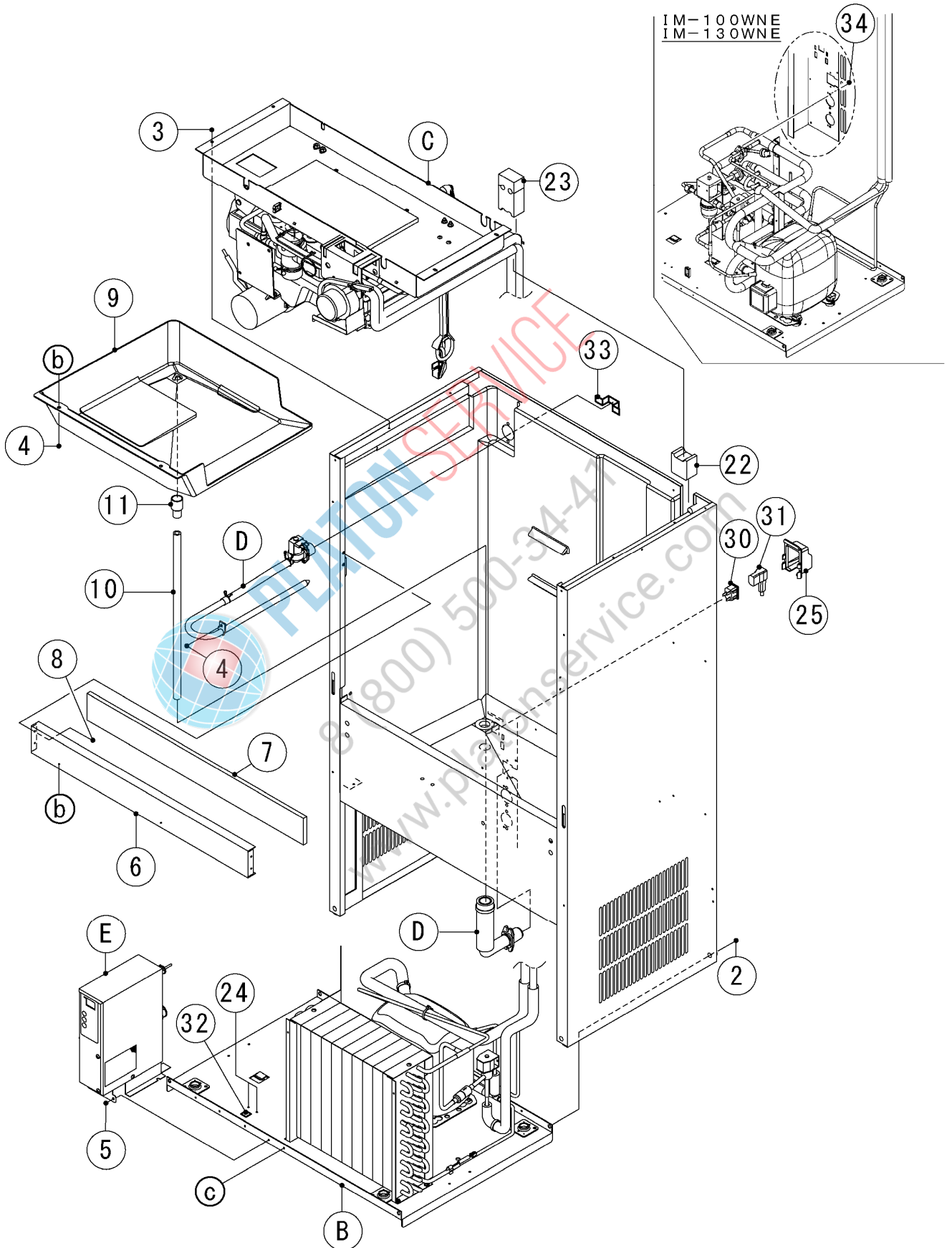
IM-100NE(-21,-23,-C)

IM-100WNE(-21,-23)

IM-130NE(-21,-23)

IM-130WNE(-23)

A. ICE CUBBER ASSY (2/2) (B-1) and later



HE,GRAM

MODEL: <b>IM-130NE(-21,-23)</b> <b>IM-130WNE(-23)</b>		TITLE: <b>A.ICE CUBER ASSY</b>					
INDEX NO.	DESCRIPTION	MATERIAL OR MODEL NUMBER	PART NUMBER	REQ'D NUMBER			
				A-1 B-0	B-1,C-0 D-0,E-0		
B	REFRIGERATION ASSY		1H4999A01	1	1		
		(130WNE,-23)	1H5165A01	1	1		
C	MECHANISM ASSY		1H4992A01	1	1		
D	WATER CIRCUIT ASSY		3Y6135A01	1	1		
E	CONTROL BOX ASSY		2X0842A01	1	-		
			2X1252A01	-	1		
F	DOOR ASSY		3Y5436A01	1	1		
G	FRONT COVER UPPER ASSY		3Y6139A01	1	1		
		(GRAM)	3Y6139A02	-	1		
H	FRONT COVER LOWER ASSY		3Y6141A01	1	1		
		(130WNE,-23)	3Y6621A01	1	1		
1	UNIT BODY		1H4951G01	1	1		
2	TRUSS HEAD TAPPING SCREW T2	6*16	1H4392Z02	4	4		
3	TRUSS HEAD MACHINE SCREW		FST0410S0	4	4		
4	TRUSS HEAD MACHINE SCREW		FST0408S0	7	7		
				9	9		
5	FLANGE BOLT (S-TITE)		FTR0408M0	2	2		
6	FRONT FRAME		3Y6546M01	1	1		
7	INSULATION - FRONT FRAME		4H2687-01	1	1		
8	RIVET	SSD42SSBS(t1.6~3.2)	7170-0002	4	4		
9	DRAIN PAN		2H1935-01	1	1		
10	DRAIN PIPE		4Y7493P05	1	1		
11	DRAIN TUBE		4H2585-01	1	1		
12	HINGE (RIGHT)		4H2583-01	1	1		
13	HINGE (LEFT)		4H2584-01	1	1		
14	HEX HEAD BOLT (SPRING WASHER AND FLAT WASHER)		FBK0616S0	4	4		
15	SLOPE		3H2978G01	1	1		
16	HOOK		4H2685-01	1	1		
17	SPRING		4H0823-01	1	1		
18	TAPER COLLAR		4H0171-01	4	4		
19	RIVET	SSD42BS	7170-0001	4	4		
20	TOP PANEL		1H4995M01	1	1		
21	INSULATION - TOP PANEL		3H9602-01	1	1		
22	INSULATION (A)		4H2683-01	1	1		

HE,GRAM

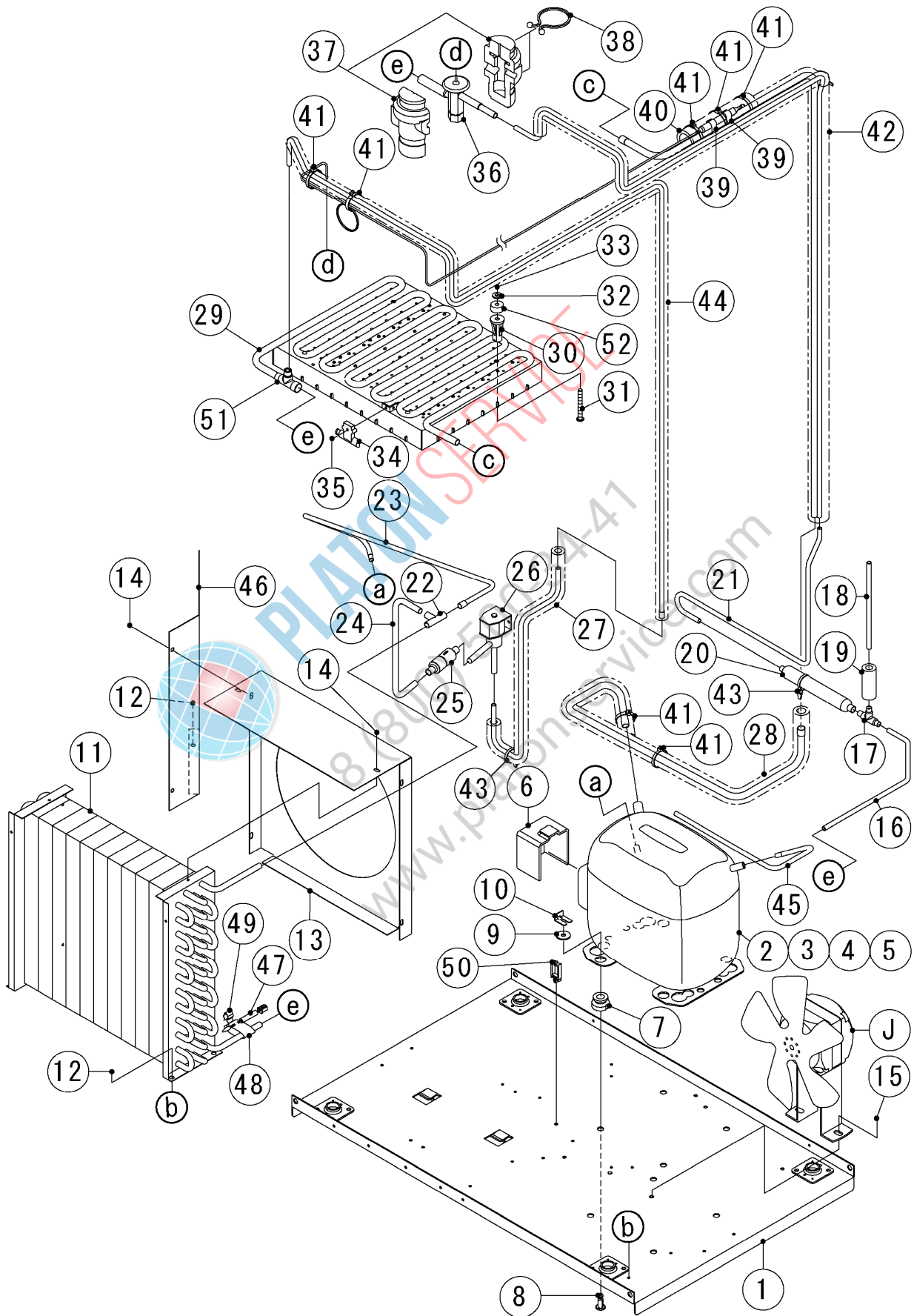
MODEL: <b>IM-130NE(-21,-23)</b> <b>IM-130WNE(-23)</b>		TITLE: <b>A.ICE CUBER ASSY</b>					
INDEX NO.	DESCRIPTION	MATERIAL OR MODEL NUMBER	PART NUMBER	REQ'D NUMBER			
				A-1 B-0	B-1,C-0 D-0,E-0		
23	INSULATION (B)		4Y7510P01	1	1		
24	PAN HEAD SCREW SW		FSK0408S0	3	3		
		(130WNE-23)	FSK0408S0	-	1		
25	COVER - CONNECTOR	ACCESSORIES NO.6	2X0271P01	1	1		
26	COVER - PIPE		3Y6142M01	1	1		
27	TRUSS HEAD TAPPING SCREW T2		FT20408F0	14	14		
		(130WNE,-23)		12	12		
28	REAR COVER		2X0843M01	1	1		
29	COVER - REAR	(130NE,-21,-23)	4Y7004M01	1	1		
30	CONNECTOR		P00245-02	1	1		
31	POWER SUPPLY CORD	EU-PLUG(10A)	P03359-01	1	1		
		UK-PLUG(10A)	P03360-01	1	1		
		AS-PLUG(10A)	P03361-01	1	1		
32	LABEL - GROUND (B)		450452-02	1	1		
33	CAUTION - LABEL		452552-01	1	1		
34	S-TITE TRUSS HEAD SCREW	(130WNE,-23)	FTS0408F0	4	4		



8 (800) 300-34-47  
www.platonservice.com

IM-100NE(-21,-23,-C)  
IM-130NE(-21,-23)

B. REFRIGERATION ASSY (B-1) and later



HE,GRAM

MODEL: <b>IM-130NE(-21,-23)</b>				TITLE: <b>B.REFRIGERATION ASSY</b>			
INDEX NO.	DESCRIPTION	MATERIAL OR MODEL NUMBER	PART NUMBER	REQ'D NUMBER			
				A-1 B-0	B-1,C-0 D-0,E-0		
J	FAN MOTOR ASSY		3Y6055A01	1	1		
1	BASE(G)		3Y6034G01	1	1		
2	COMPRESSOR		454833-01	1	1		
3	STARTING RELAY		452237-01	1	1		
4	START CAPACITOR		456350-01	1	1		
5	CORD RELIEF		452239-01	1	1		
6	COVER		459924-01	1	1		
7	RUBBER GROMMET		450897-01	4	4		
8	STEEL PIN		452255-01	4	4		
9	WASHER CUSHION		450894-01	4	4		
10	CLIP		452256-01	4	4		
11	CONDENSER		P03383-01	1	1		
12	FLANGE BOLT (S-TITE)		FTR0408M0	5	5		
13	SHROUD		3Y6035M01	1	1		
14	TRUSS HEAD TAPPING SCREW T2		FT20408F0	6	6		
15	HEX HEAD BOLT (SPRING WASHER AND FLAT WASHER)		FBK0612F0	2	2		
16	PIPE(A) - HIGH SIDE		4Y7464M01	1	1		
17	TEE		456655-01	1	1		
18	PROCESS TUBE		4Y0273-01	1	1		
19	INSULATION TUBE		H71020050	1	1		
20	DRIER		458776-01	1	1		
21	PIPE(C) - HIGH SIDE		3Y6037M01	1	1		
22	TEE		420041-11	1	1		
23	PIPE(B) - HIGH SIDE		3Y6036M01	1	1		
24	PIPE(A) - HOT GAS		4Y7465M01	1	1		
		(130NE-21)	4Y7983M01	1	1		
25	STRAINER		P00812-01	1	1		
26	HOT GAS VALVE		P01871-01	1	1		
27	PIPE(C) - HOT GAS		3Y6038G01	1	1		
		(130NE-21)	3Y7063G01	1	1		
28	PIPE(B) - LOW SIDE		3Y6039G01	1	1		
29	EVAPORATOR		2H6438G01	1	1		
		(130NE-21)	2H0716G02	1	1		
	EVAPORATOR 23MM	(130NE-23)	2H1836G01	1	1		

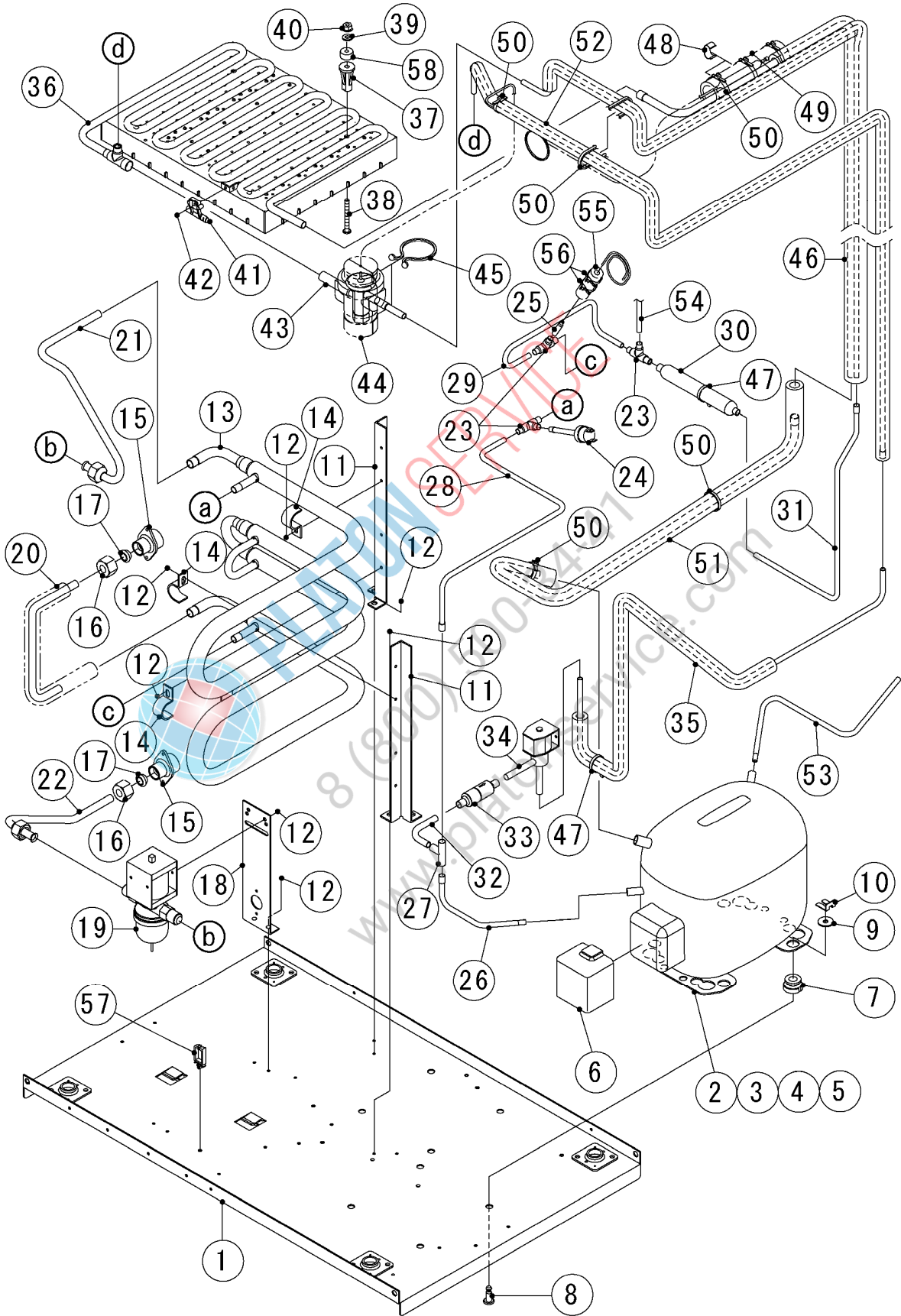


HE,GRAM

MODEL: <b>IM-130NE(-21,-23)</b>			TITLE: <b>B.REFRIGERATION ASSY</b>				
INDEX NO.	DESCRIPTION	MATERIAL OR MODEL NUMBER	PART NUMBER	REQ'D NUMBER			
				A-1 B-0	B-1,C-0 D-0,E-0		
30	COLLAR		3H3879-01	4	4		
31	SCREW EVAPORATOR		4Y4922M02	4	4		
		(130NE-21,-23)	4Y4922M03	4	4		
32	WASHER		4H0777-01	4	4		
33	FLANGE NUT		FNHF06S0	4	4		
34	HOLDER - THERMISTOR		3H9642-01	1	1		
35	TRUSS HEAD TAPPING SCREW (S-TITE)		FTS0408M0	1	1		
36	EXPANSION VALVE		P02546-01	1	1		
37	VALVE COVER		3Y3051P01	1	1		
38	CLAMP		P00752-01	2	2		
39	CLIP		452254-01	2	2		
40	INSULATION		4X8643-01	1	1		
41	TIE	CV-150	7920-0003	7	7		
42	HEAT EXCHANGER		2X0782G01	1	1		
43	TIE		457167-01	3	3		
44	PIPE(D) - HOT GAS		3Y6042G01	1	1		
45	PIPE(A) - PROSESS		4Y7466M01	1	1		
46	BARRIER		3Y6144M01	1	1		
47	THERMISTOR(G) - FILTER		4Y4859G01	1	1		
48	ALUMINUM TAPE		1H4761-01	1	1		
49	CLIP - THERMISTOR		4R2938-01	1	1		
50	WIRE SADDLE		428060-02	1	1		
51	TEE	(130NE-23)	420335-01	1	1		
52	WASHER	(130NE-21)	4H1365-06	4	4		
		(130NE-23)	4H1365-05	4	4		

IM-100WNE(-21,-23)  
IM-130WNE(-23)

**B. REFRIGERATION ASSY** (B-1) and later



HE,GRAM

MODEL: <b>IM-130WNE(-23)</b>		TITLE: <b>B.REFRIGERATION ASSY</b>					
INDEX NO.	DESCRIPTION	MATERIAL OR MODEL NUMBER	PART NUMBER	REQ'D NUMBER			
				A-1 B-0	B-1,C-0 D-0,E-0		
1	BASE(G)		3Y6034G01	1	1		
2	COMPRESSOR		454833-01	1	1		
3	STARTING RELAY		452237-01	1	1		
4	START CAPACITOR		456350-01	1	1		
5	CORD RELIEF		452239-01	1	1		
6	COVER		459924-01	1	1		
7	GROMMET		450897-01	4	4		
8	STEEL PIN		452255-01	4	4		
9	WASHER CUSHION		450894-01	4	4		
10	CLIP		452256-01	4	4		
11	BOLT EVAPORATOR LEG		4H0564-01	2	2		
12	T2 TRUSS HEAD SCREW		FT20408F0	11	11		
13	CONDENSER/W		2H9059G01	1	1		
14	CLAMP(B) - CONDENSER		4H0622-01	3	3		
15	FITTING(P)		3Y0747-01	2	2		
16	NUT (A) - FITTING		415713-03	2	2		
17	TAPPERED PACKING		415715-01	2	2		
18	BRACKET - WATER REGURATOR		4X5632-01	1	1		
19	WATER REGULATOR		456441-01	1	1		
20	PIPE(A) - WATER		4Y7738G01	1	1		
21	PIPE(B) - WATER		4Y7740G01	1	1		
22	PIPE(C) - WATER		4Y7739G01	1	1		
23	TEE		456655-01	3	3		
24	PRESSURE SWITCH	R134a,R22,R404A	459863-03	1	1		
25	SLEEVE		441322-01	1	1		
26	PIPE(A) - HIGH SIDE		4Y7741M01	1	1		
27	TEE		420041-11	1	1		
28	PIPE(B) - HIGH SIDE		3Y6617M01	1	1		
29	PIPE(C) - HIGH SIDE		4Y7742M01	1	1		
30	DRIER		458776-01	1	1		
31	PIPE(D) - HIGH SIDE		4Y7744M01	1	1		
32	PIPE(A) - HOT GAS		4Y7743M01	1	1		
33	STRAINER		P00812-01	1	1		
34	HOT GAS VALVE		P01871-01	1	1		
35	PIPE(B) - HOTGAS		3Y6618G01	1	1		

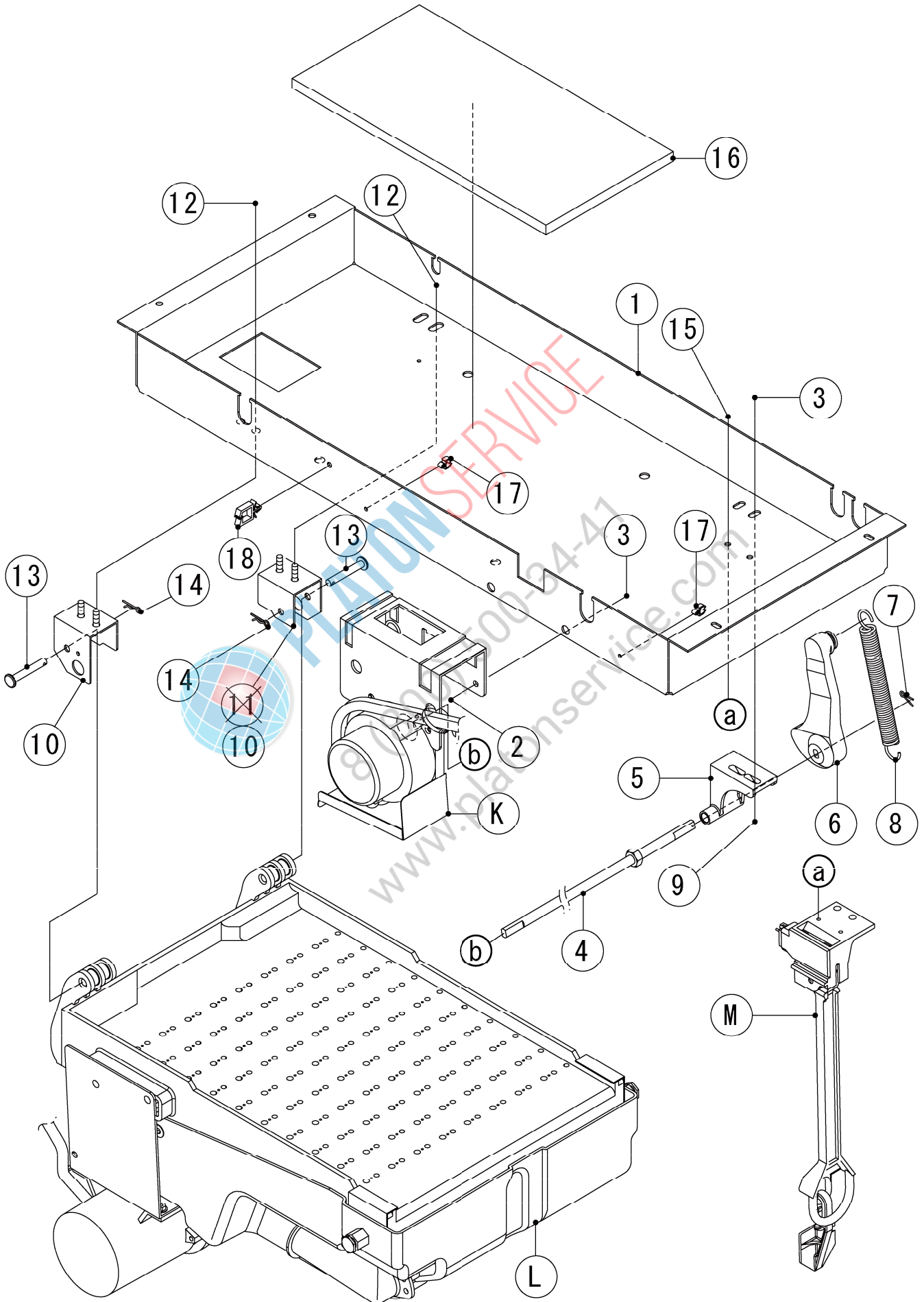
HE,GRAM

MODEL: <b>IM-130WNE(-23)</b>		TITLE: <b>B.REFRIGERATION ASSY</b>					
INDEX NO.	DESCRIPTION	MATERIAL OR MODEL NUMBER	PART NUMBER	REQ'D NUMBER			
				A-1 B-0	B-1,C-0 D-0,E-0		
36	EVAPORATOR		2H6438G02	1	1		
	EVAPORATOR 23MM	(130WNE-23)	2H1836G01	-	1		
37	COLLAR		3H3879-01	4	4		
38	SCREW EVAPORATOR		4Y4922M02	4	4		
		(130WNE-23)	4Y4922M03	-	4		
39	WASHER		4H0777-01	4	4		
40	FLANGE NUT		FNHF06S0	4	4		
41	HOLDER - THERMISTOR		315479-01	1	1		
42	S-TITE TRUSS HEAD SCREW		FTS0408M0	1	1		
43	EXPANSION VALVE		P02546-01	1	1		
44	VALVE COVER		3Y3051P01	1	1		
45	CLAMP		P00752-01	2	2		
46	HEAT EXCHANGER		2X0782G01	1	1		
47	TIE		457167-01	2	2		
48	CLIP		452254-01	2	2		
49	INSULATION		4X8643-01	1	1		
50	TIE	CV-150	7920-0003	7	7		
51	PIPE(B) - LOW SIDE		3Y6619G01	1	1		
52	PIPE(D) - HOT GAS		3Y6042G01	1	1		
53	PIPE(A) - PROSESS		4Y7745M01	1	1		
54	PROCESS TUBE		4Y0273-01	1	1		
55	INSULATION - CAP		4H9594-01	1	1		
56	TIE	CV-100	7920-0002	2	2		
57	WIRE SADDLE		428060-03	1	1		
58	WASHER	(130WNE-23)	4H1365-05	4	4		

IM-100NE(-21,-23,-C)  
IM-100WNE(-21,-23)  
IM-130NE(-21,-23)  
IM-130WNE(-23)

### C. MECHANISM ASSY

(B-1) and later



HE,GRAM

MODEL: <b>IM-130NE(-21,-23)</b> <b>IM-130WNE(-23)</b>		TITLE: <b>C.MECHANISM ASSY</b>					
INDEX NO.	DESCRIPTION	MATERIAL OR MODEL NUMBER	PART NUMBER	REQ'D NUMBER			
				A-1 B-0	B-1,C-0 D-0,E-0		
K	ACTUATOR MOTOR ASSY		3Y8847A02	1	1		
L	WATER PAN ASSY		2X0844A01	1	1		
M	BIN CONTROL SWITCH		3H1538A02	1	1		
1	MECHANISM BASE		2X0788M01	1	1		
		(130NE-21)	2X1272M01	1	1		
2	TRUSS HEAD MACHINE SCREW		FST0512S0	2	2		
3	FLANGE NUT		FNHF05S0	4	4		
4	CAM SHAFT		4H2702G01	1	1		
5	BEARING - CAM SHAFT		3X8307-02	1	1		
6	CAM (B)		376546P01	1	1		
7	COTTER PIN		711S-0212	1	1		
8	SPRING		4H0287-01	1	1		
9	TRUSS HEAD MACHINE SCREW		FST0516S0	2	2		
10	BEARING PLATE		3H1440G03	2	2		
11	BEARING PLATE		3H1440G04	-	-		
12	FLANGE NUT		FNHF06S0	4	4		
13	SHAFT (B)		4H1184-02	2	2		
14	SNAP PIN		715S-0006	2	2		
15	TRUSS HEAD TAPPING SCREW T2		FT20408M0	2	2		
16	INSULATION (D)		4Y7504P01	1	1		
17	CLAMP		426197-01	2	2		
18	WIRE SADDLE		428060-03	1	1		

IM-100NE(-21,-23,-C)

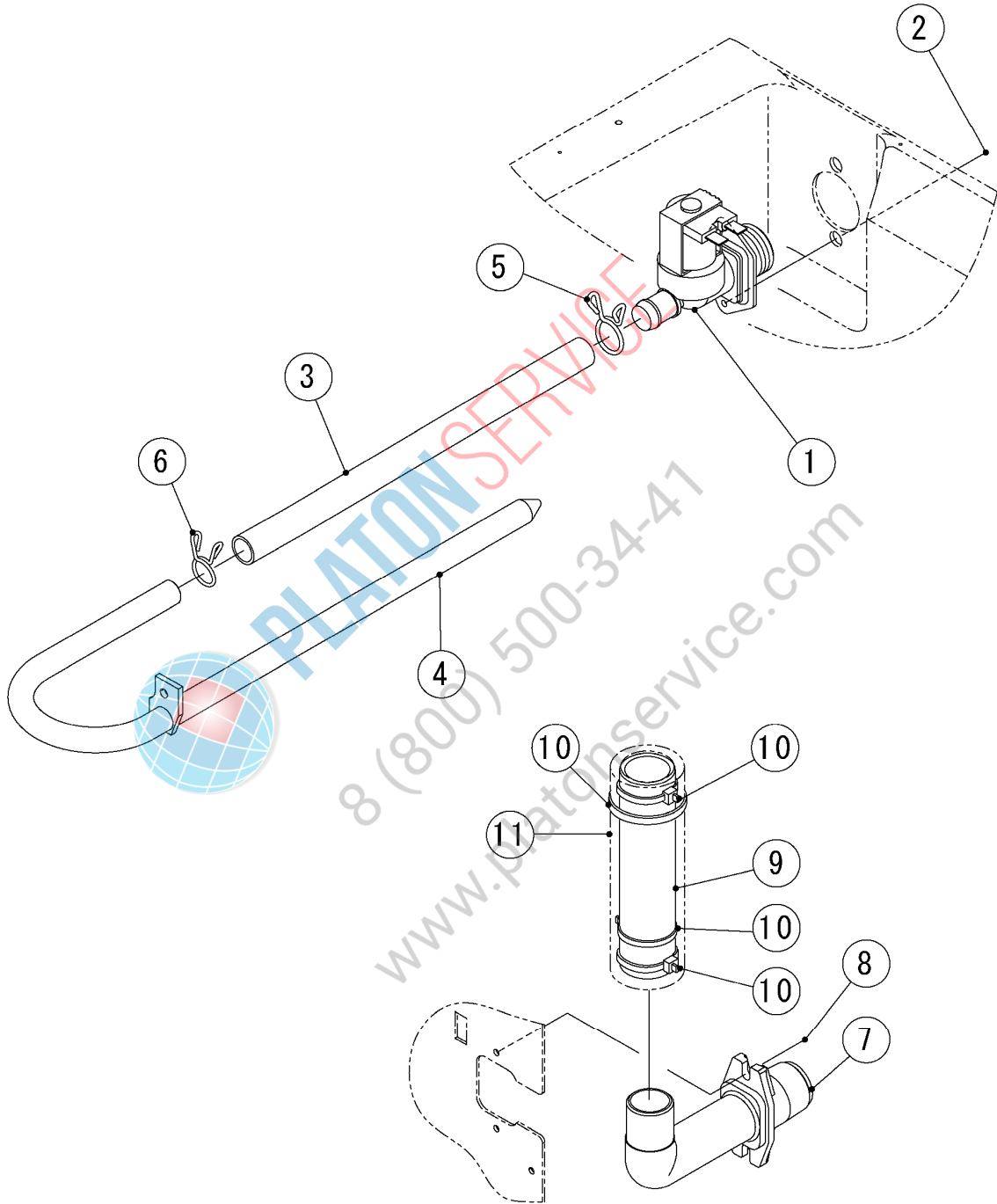
IM-100WNE(-21,-23)

IM-130NE(-21,-23)

IM-130WNE(-23)

D. WATER CIRCUIT ASSY

(B-1) and later



HE,GRAM

MODEL: <b>IM-130NE(-21,-23)</b> <b>IM-130WNE(-23)</b>				TITLE: <b>D.WATER CIRCUIT ASSY</b>			
INDEX NO.	DESCRIPTION	MATERIAL OR MODEL NUMBER	PART NUMBER	REQ'D NUMBER			
				A-1 B-0	B-1,C-0 D-0,E-0		
1	WATER VALVE		P02056-01	1	1		
2	HEX HEAD BOLT		FBH0408S0	2	2		
3	SILICONE HOSE		3H9588-03	1	1		
4	WATER SUPPLY PIPE		3H9532G01	1	1		
5	HOSE CLAMP		435934-03	1	1		
6	HOSE CLAMP		435934-02	1	1		
7	DRAIN PIPE		3H0394-01	1	1		
8	TRUSS HEAD TAPPING SCREW T2		FT20410M0	2	2		
9	VINYL HOSE		3H9588-10	1	1		
10	TIE	CV-150	7920-0003	3	3		
11	INSULATION TUBE	7762-2636 L=120	H72636120	1	1		



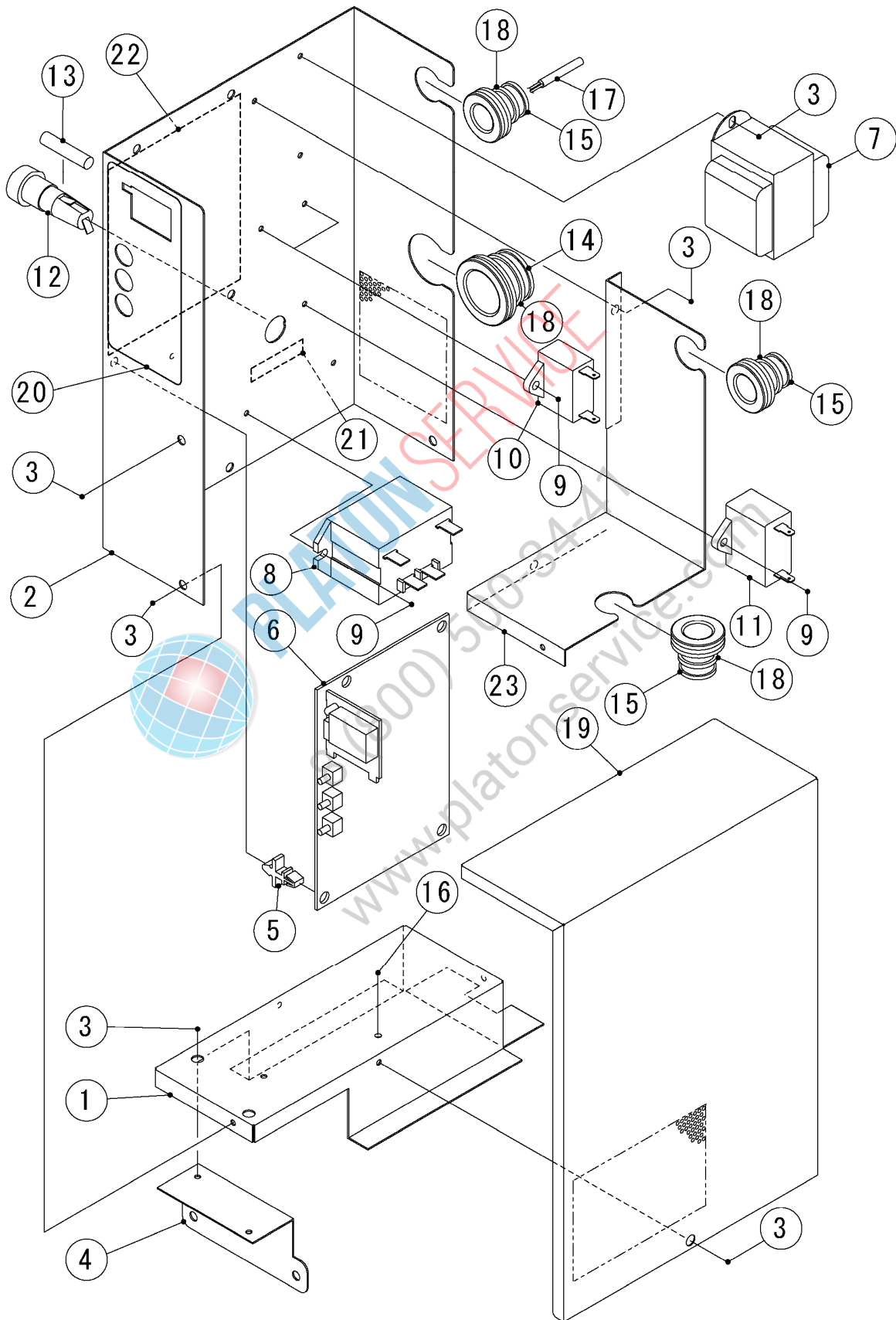
**PLATON SERVICE**  
 8 (800) 500-34-41  
 www.platonservice.com



IM-100NE(-21,-23,-C)  
IM-100WNE(-21,-23)  
IM-130NE(-21,-23)  
IM-130WNE(-23)

E. CONTROL BOX ASSY

(B-1) and later



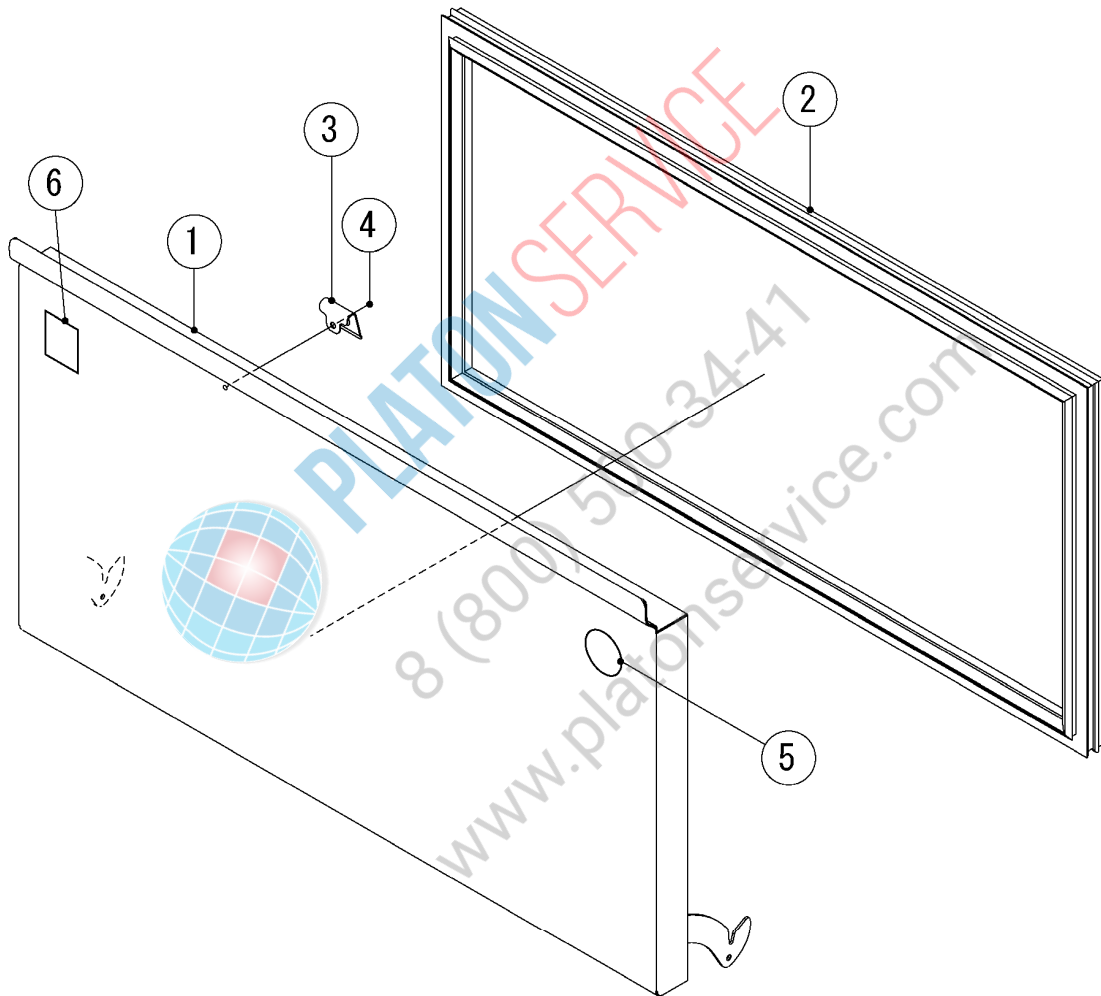
HE,GRAM

MODEL: <b>IM-130NE(-21,-23)</b> <b>IM-130WNE(-23)</b>		TITLE: <b>E.CONTROL BOX ASSY</b>					
INDEX NO.	DESCRIPTION	MATERIAL OR MODEL NUMBER	PART NUMBER	REQ'D NUMBER			
				A-1 B-0	B-1,C-0 D-0,E-0		
1	CONTROL BOX (A)		3Y5611M01	1	1		
2	CONTROL BOX (B)		2X1053M01	1	-		
			2X1251M01	-	1		
3	TRUSS HEAD TAPPING SCREW T2		FT20408F0	11	11		
4	PLATE - BOX		4Y7215M01	1	1		
5	BOARD SUPPORT		414929-02	4	4		
6	CONTROLLER BOARD		P01873-01	1	1		
7	TRANSFORMER		P02714-01	1	1		
8	POWER RELAY		P00034-01	1	1		
9	TRUSS HEAD TAPPING SCREW T2		FT20410F0	5	5		
10	CAPACITOR		P01870-01	2	2		
11	CAPACITOR		P01910-01	1	1		
12	FUSE HOLDER		P00014-01	1	-		
			P02829-01	-	1		
13	FUSE		P01876-01	1	-		
			P01992-01	-	1		
14	GROMMET		4H2568-01	1	1		
15	GROMMET		4H2568-02	3	3		
16	TRUSS HEAD MACHINE SCREW		FST0408S0	1	1		
17	THERMISTOR - CUBE COTROL		P00350-04	1	1		
18	TIE	CV-150	7920-0003	2	2		
19	CONTROL BOX COVER		3Y6513M01	1	1		
20	CONTROL LABEL		475642L01	1	1		
21	LABEL - FUSE		466798-01	1	1		
22	WIRING LABEL		3Y6137L01	1	1		
23	SEPARATOR - BOX		3Y6512M01	1	1		

IM-100NE(-21,-23,-C)  
IM-100WNE(-21,-23)  
IM-130NE(-21,-23)  
IM-130WNE(-23)

F. DOOR ASSY

(B-1) and later



HE,GRAM

MODEL: <b>IM-130NE(-21,-23)</b> <b>IM-130WNE(-23)</b>		TITLE: <b>F.DOOR ASSY</b>					
INDEX NO.	DESCRIPTION	MATERIAL OR MODEL NUMBER	PART NUMBER	REQ'D NUMBER			
				A-1 B-0	B-1,C-0 D-0,E-0		
1	DOOR G		3Y5435G01	1	1		
2	DOOR GASKET		3Y6199P04	1	1		
3	CATCH - SLOPE		4X7644-01	1	1		
4	TRUSS HEAD TAPPING SCREW T2		FT20408M0	1	1		
5	LABEL - PENGUIN	(HE)	471486L01	1	1		
6	LABEL - HACCP		476519L01	1	1		



**PLATON SERVICE**

8 (800) 500-34-41

www.platonservice.com

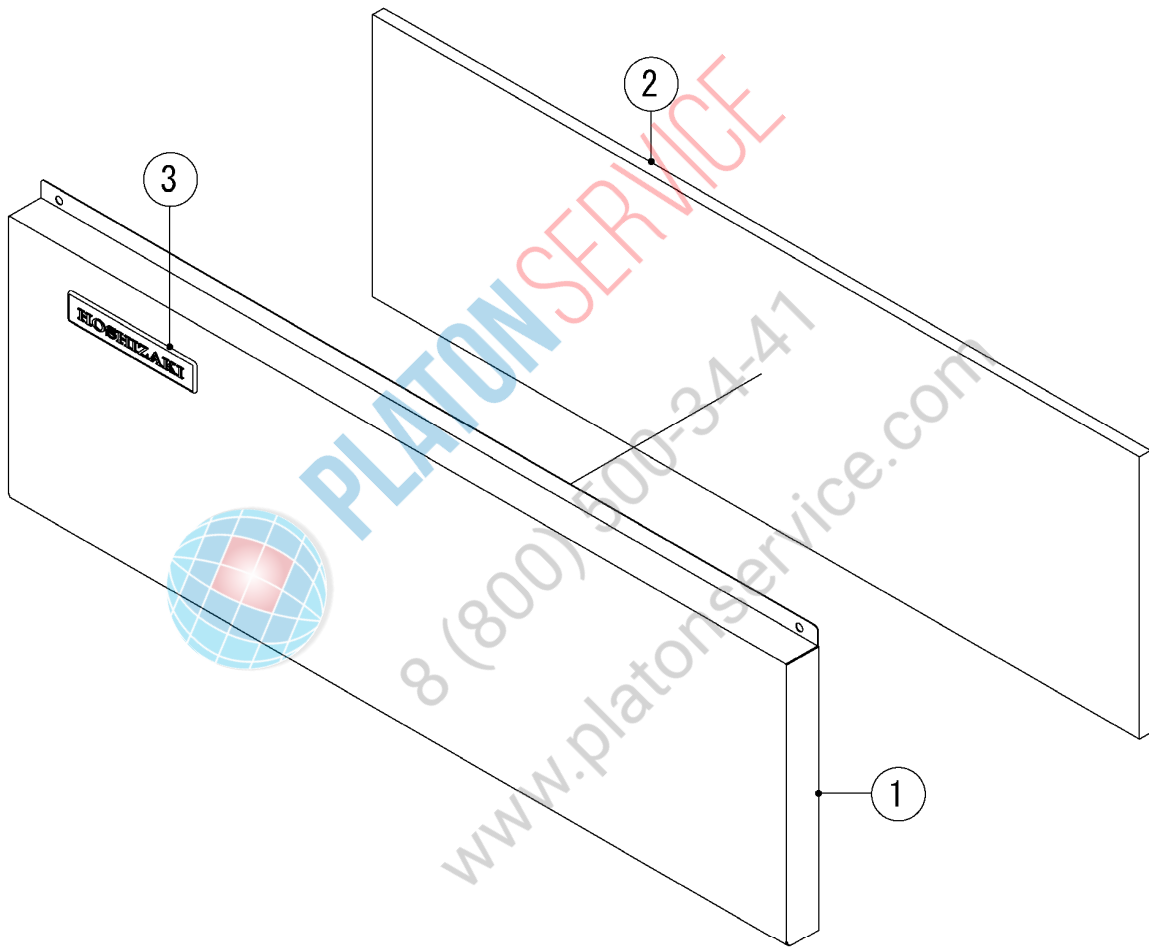
IM-100NE(-21,-23,-C)

IM-100WNE(-21,-23)

IM-130NE(-21,-23)

IM-130WNE(-23)

G. FRONT COVER UPPER ASSY (B-1) and later



HE,GRAM

MODEL: <b>IM-130NE(-21,-23)</b> <b>IM-130WNE(-23)</b>		TITLE: <b>G.FRONT COVER UPPER ASSY</b>					
INDEX NO.	DESCRIPTION	MATERIAL OR MODEL NUMBER	PART NUMBER	REQ'D NUMBER			
				A-1 B-0	B-1,C-0 D-0,E-0		
1	FRONT COVER UPPER		3Y6138G01	1	1		
2	INSULATION - FRONT(A)		4Y7505P01	1	1		
3	EMBLEM	(HE)	340842-01	1	1		
	EMBLEM-GRAM	(GRAM)	4Y6123L01	-	1		



**PLATON SERVICE**

8 (800) 500-34-41

www.platonservice.com

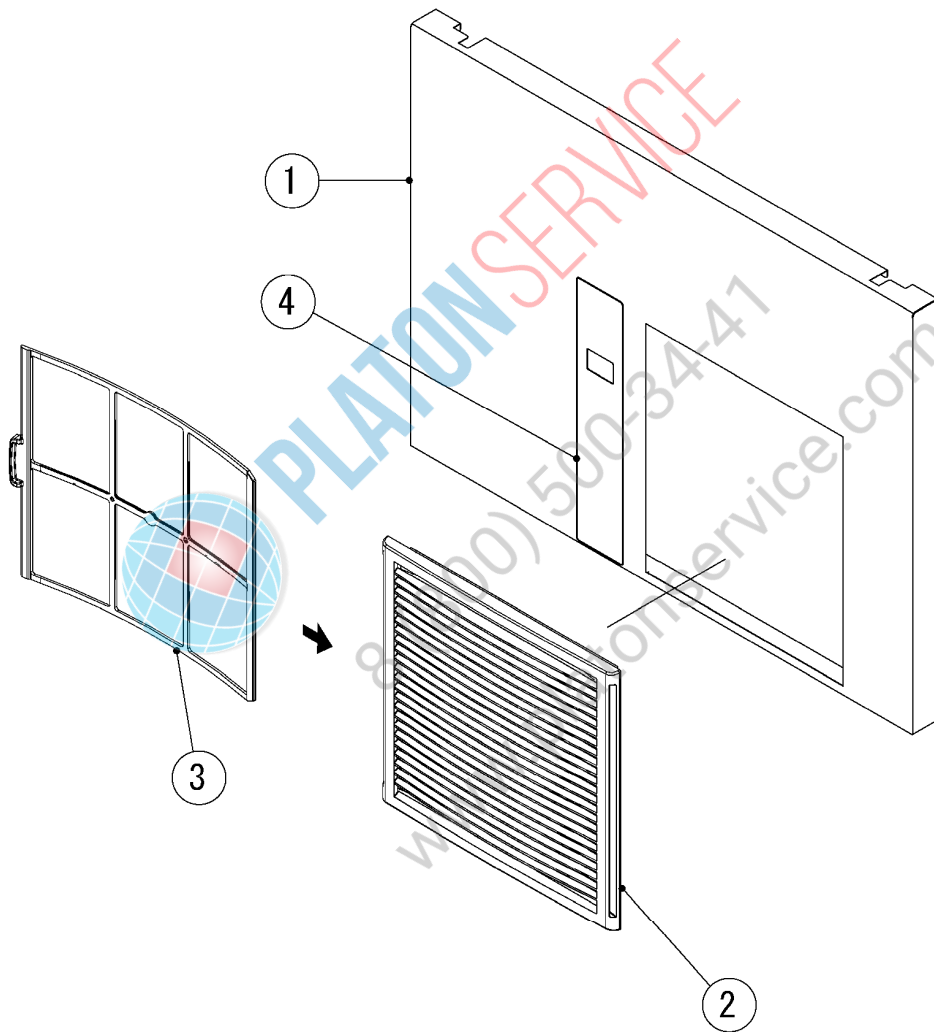
IM-100NE(-21,-23,-C)

IM-100WNE(-21,-23)

IM-130NE(-21,-23)

IM-130WNE(-23)

H. FRONT COVER LOWER ASSY (B-1) and later



HE,GRAM

MODEL: <b>IM-130NE(-21,-23)</b> <b>IM-130WNE(-23)</b>		TITLE: <b>H.FRONT COVER LOWER ASSY</b>					
INDEX NO.	DESCRIPTION	MATERIAL OR MODEL NUMBER	PART NUMBER	REQ'D NUMBER			
				A-1 B-0	B-1,C-0 D-0,E-0		
1	FRONT COVER LOWER		3Y6140G01	1	1		
		(130WNE,-23)	3Y6620G01	1	1		
2	LOUVER	(100NE,-21,-23)	121931P01	1	1		
3	AIR FILTER	(100NE,-21,-23)	262259G01	1	1		
4	OPERATION LABEL		375116L04	1	1		



**PLATON SERVICE**

8 (800) 500-34-41

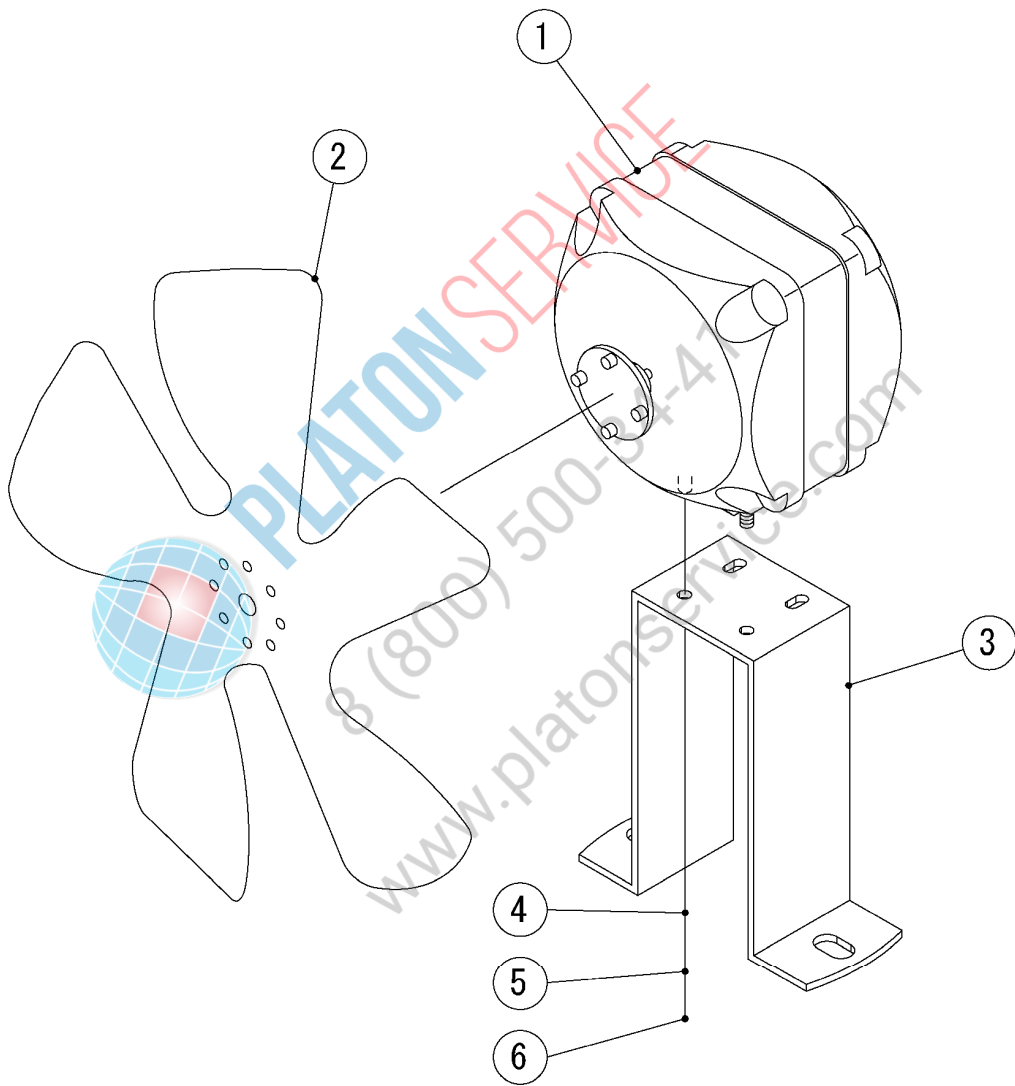
www.platonservice.com



IM-100NE(-21,-23,-C)  
IM-100WNE(-21,-23)  
IM-130NE(-21,-23)  
IM-130WNE(-23)

J. FAN MOTOR ASSY

(B-1) and later



HE,GRAM

MODEL: <b>IM-130NE(-21,-23)</b> <b>IM-130WNE(-23)</b>		TITLE: <b>J.FAN MOTOR ASSY</b>					
INDEX NO.	DESCRIPTION	MATERIAL OR MODEL NUMBER	PART NUMBER	REQ'D NUMBER			
				A-1 B-0	B-1,C-0 D-0,E-0		
1	FAN MOTOR		P00022-01	1	1		
2	FAN		451771-01	1	1		
3	BRACKET - FM		3Y6143M01	1	1		
4	FLAT WASHER		FWPL04S0	2	2		
5	SPRING WASHER		FWSP04S0	2	2		
6	NUT		FNH104S0	2	2		



**PLATON SERVICE**

8 (800) 500-34-41

www.platonservice.com

IM-100NE(-21,-23,-C)

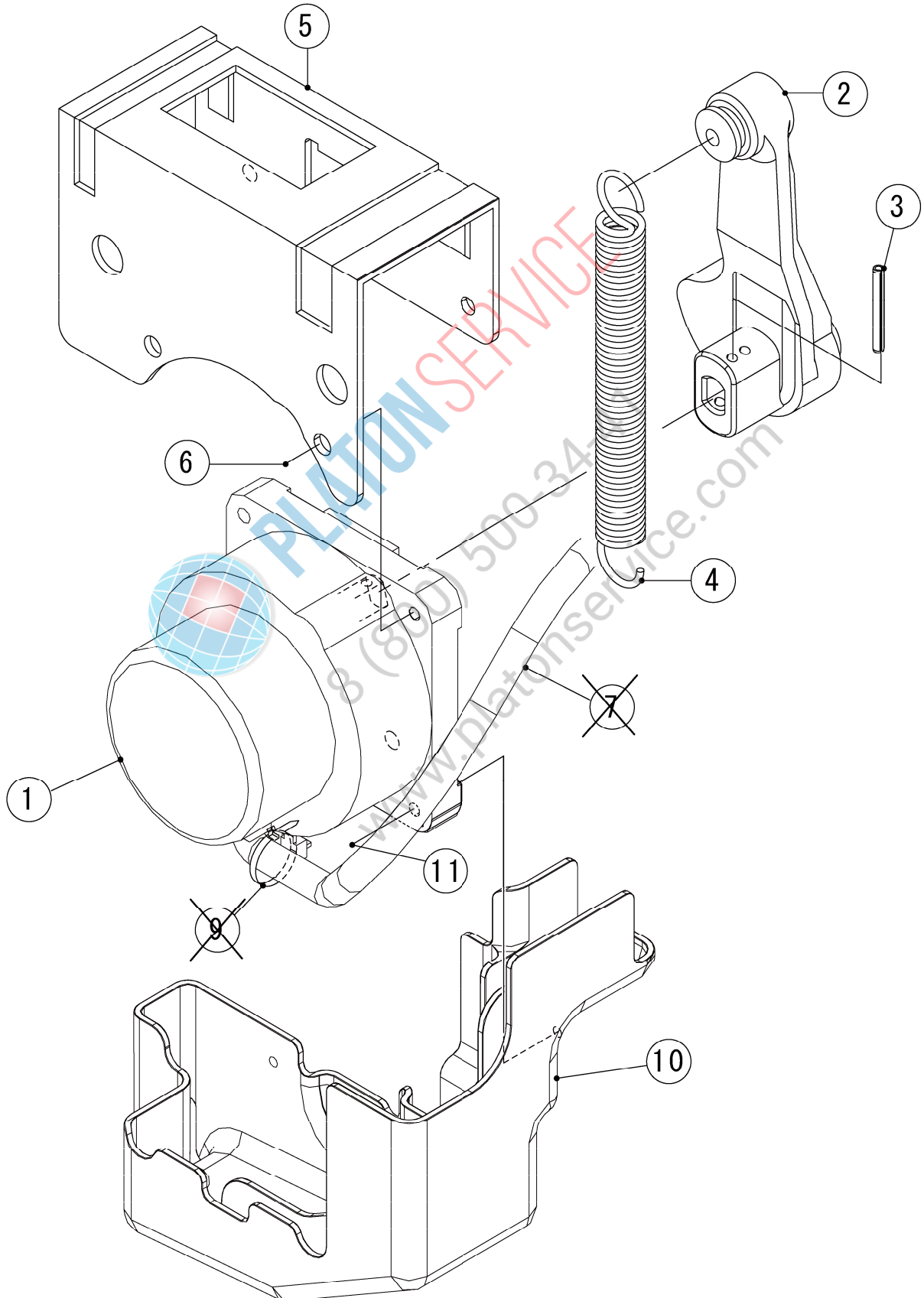
IM-100WNE(-21,-23)

IM-130NE(-21,-23)

IM-130WNE(-23)

K. ACTUATOR MOTOR ASSY

(B-1) and later



HE,GRAM

MODEL: <b>IM-130NE(-21,-23)</b> <b>IM-130WNE(-23)</b>		TITLE: <b>K.ACTUATOR MOTOR ASSY</b>					
INDEX NO.	DESCRIPTION	MATERIAL OR MODEL NUMBER	PART NUMBER	REQ'D NUMBER			
				A-1 B-0	B-1,C-0 D-0,E-0		
1	ACTUATOR MOTOR		4Y8998G01	1	1		
2	CAM(A)		306543G03	1	1		
3	SPRING PIN 3*28		712S-0328	1	1		
4	SPRING		4H0287-01	1	1		
5	BRACKET - AM		3Y2924M01	1	1		
6	HEX HEAD BOLT (SPRING WASHER AND FLAT WASHER)		FBK0620S0	2	2		
7	TUBE-SILICONE		4Y6751Z08	-	-		
8	TUBE-SILICONE		4X8017-07	-	-		
9	TIE		7920-0003	-	-		
10	COVER - ACTUATOR MOTOR		1H4881P01	1	1		
11	T2 TRUSS HEAD SCREW		FT20418M0	2	2		

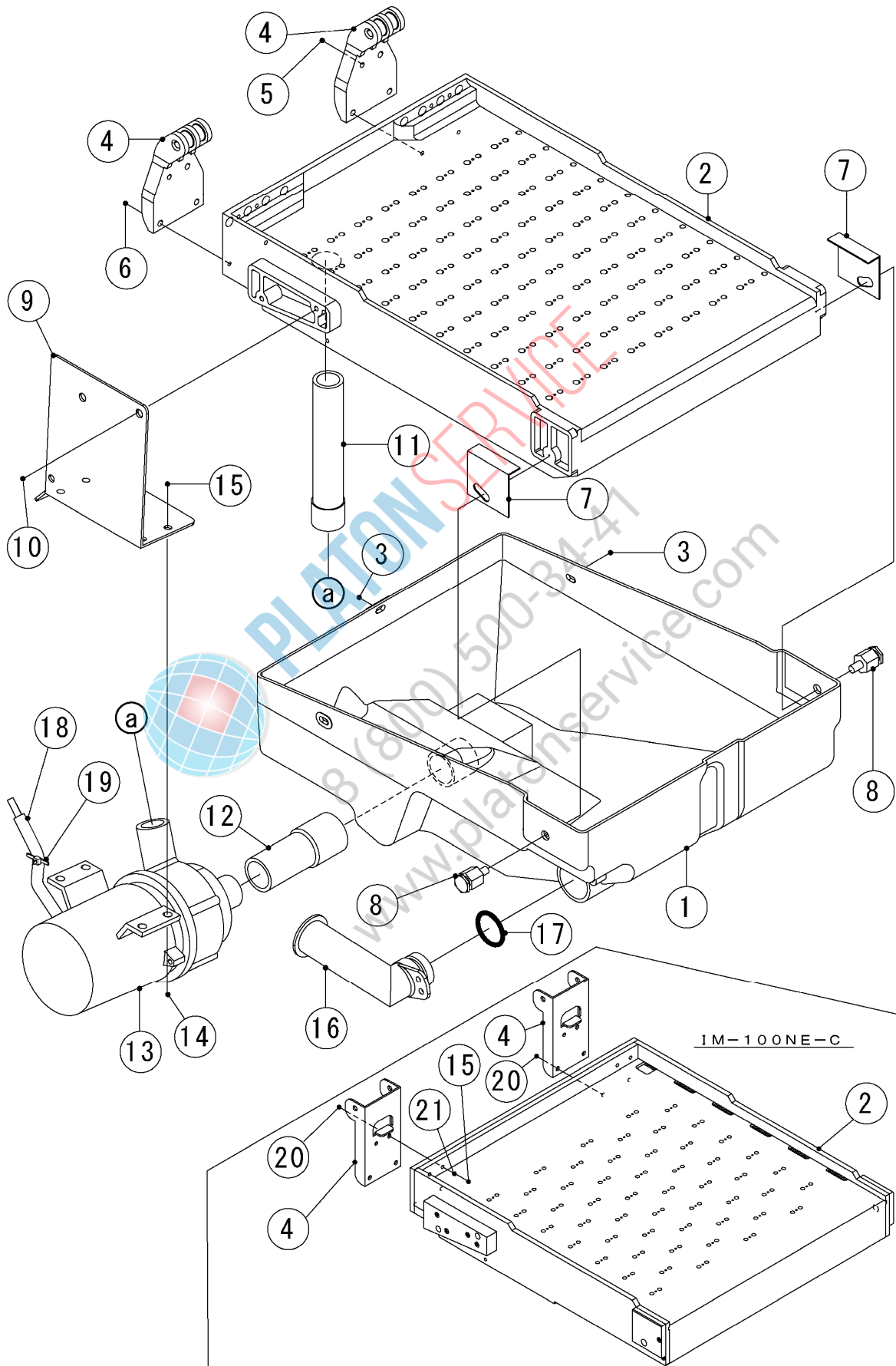


**PLATON SERVICE**  
 8 (800) 500-34-41  
 www.platonservice.com

IM-100NE(-21,-23,-C)  
IM-100WNE(-21,-23)  
IM-130NE(-21,-23)  
IM-130WNE(-23)

### L. WATER PAN ASSY

(B-1) and later



HE,GRAM

MODEL: <b>IM-130NE(-21,-23)</b> <b>IM-130WNE(-23)</b>		TITLE: <b>L.WATER PAN ASSY</b>					
INDEX NO.	DESCRIPTION	MATERIAL OR MODEL NUMBER	PART NUMBER	REQ'D NUMBER			
				A-1 B-0	B-1,C-0 D-0,E-0		
1	WATER TANK		2H2286G01	1	1		
2	WATER PAN ASSY		2H0833G02	1	1		
	WATER PLATE	(130NE-21)	2H0833G02	1	1		
3	TRUSS HEAD TAPPING SCREW T2		FT20410M0	4	4		
	TRUSS HEAD SCREW	(130NE-21)	FST0410S0	4	4		
4	WATER PAN HANGER		3H2059-01	2	2		
5	TRUSS HEAD TAPPING SCREW T2	(130NE,-23)(130WNE,-23)	FT20420M0	4	4		
6	TRUSS HEAD TAPPING SCREW T2	(130NE,-23)(130WNE,-23)	FT20416M0	4	4		
7	BRACKET		402957-01	2	2		
8	SCREW SPRING HOOK		4H2582G01	2	2		
9	BRACKET - PUMP		4Y7503M01	1	1		
10	TRUSS HEAD TAPPING SCREW T2		FT20516M0	2	2		
	TRUSS HEAD MACHINE SCREW	(130NE-21)	FST0512S0	2	2		
11	TUBING - PUMP DISCHARGE		4Y7517G01	1	1		
12	SUCTION TUBE		4Y7518G01	1	1		
13	PUMP MOTOR	PMX-352BHZ1S	P02715-01	1	1		
14	HEX HEAD BOLT		FBK0412S0	4	4		
	(SPRING WASHER AND FLAT WASHER)						
15	FLANGE NUT		FNHF04S0	4	4		
16	PIPE - DRAIN		315530-01	1	1		
17	O-RING		7611-G025	1	1		
18	TUBE-SILICONE		4Y7388Z02	1	1		
19	TIE		7920-0002	2	2		
20	TRUSS HEAD MACHINE SCREW	(130NE-21)	FST0420S0	8	8		

IM-100NE(-21,-23,-C)

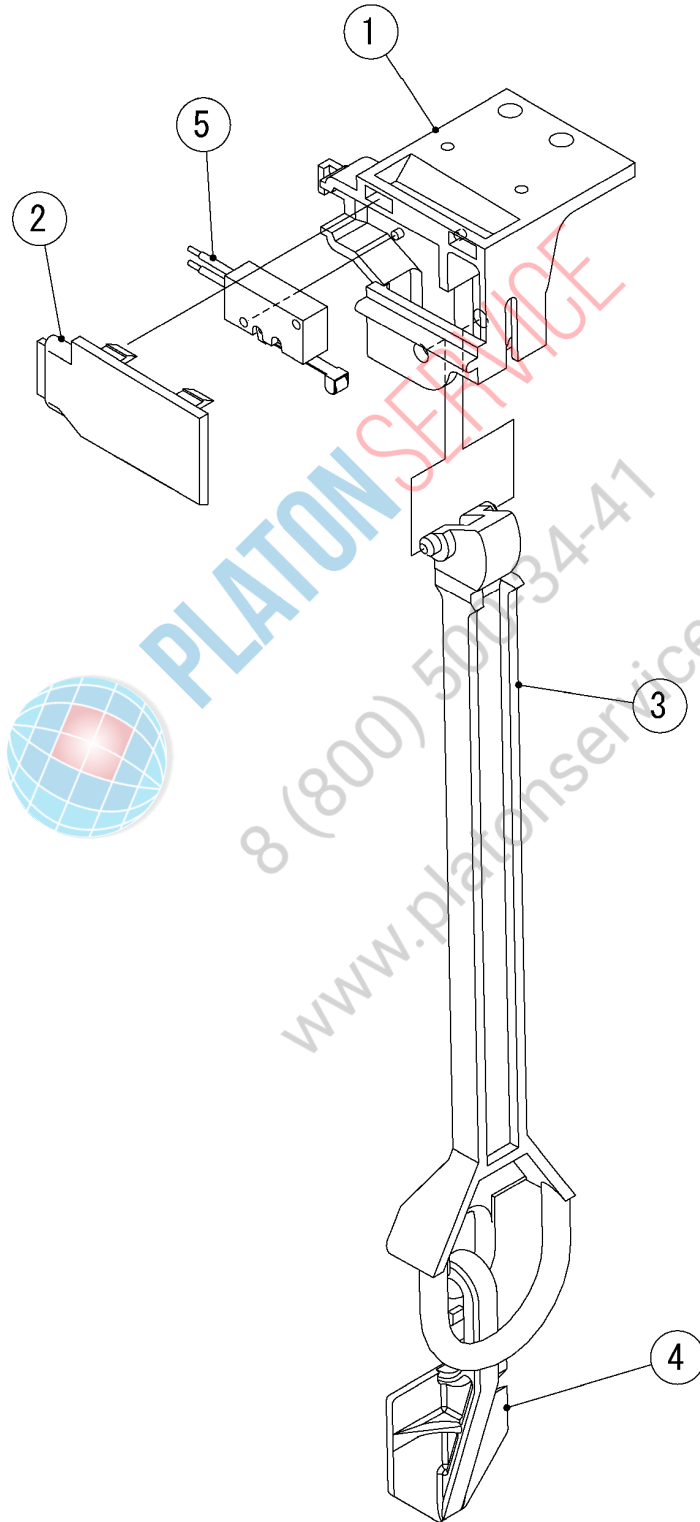
IM-100WNE(-21,-23)

IM-130NE(-21,-23)

IM-130WNE(-23)

M. BIN CONTROL SWITCH

(B-1) and later



HE,GRAM

MODEL: <b>IM-130NE(-21,-23)</b> <b>IM-130WNE(-23)</b>		TITLE: <b>M.BIN CONTROL SWITCH</b>					
INDEX NO.	DESCRIPTION	MATERIAL OR MODEL NUMBER	PART NUMBER	REQ'D NUMBER			
				A-1 B-0	B-1,C-0 D-0,E-0		
1	SWICH BOX		2H2043-01	1	1		
2	SWITCH BOX COVER		4H8785-01	1	1		
3	SWITCH ACTUATOR		3H1369-02	1	1		
4	DETECTOR		311044-01	1	1		
5	MICRO SWITCH		456432-02	1	1		



**PLATON SERVICE**

8 (800) 500-34-47

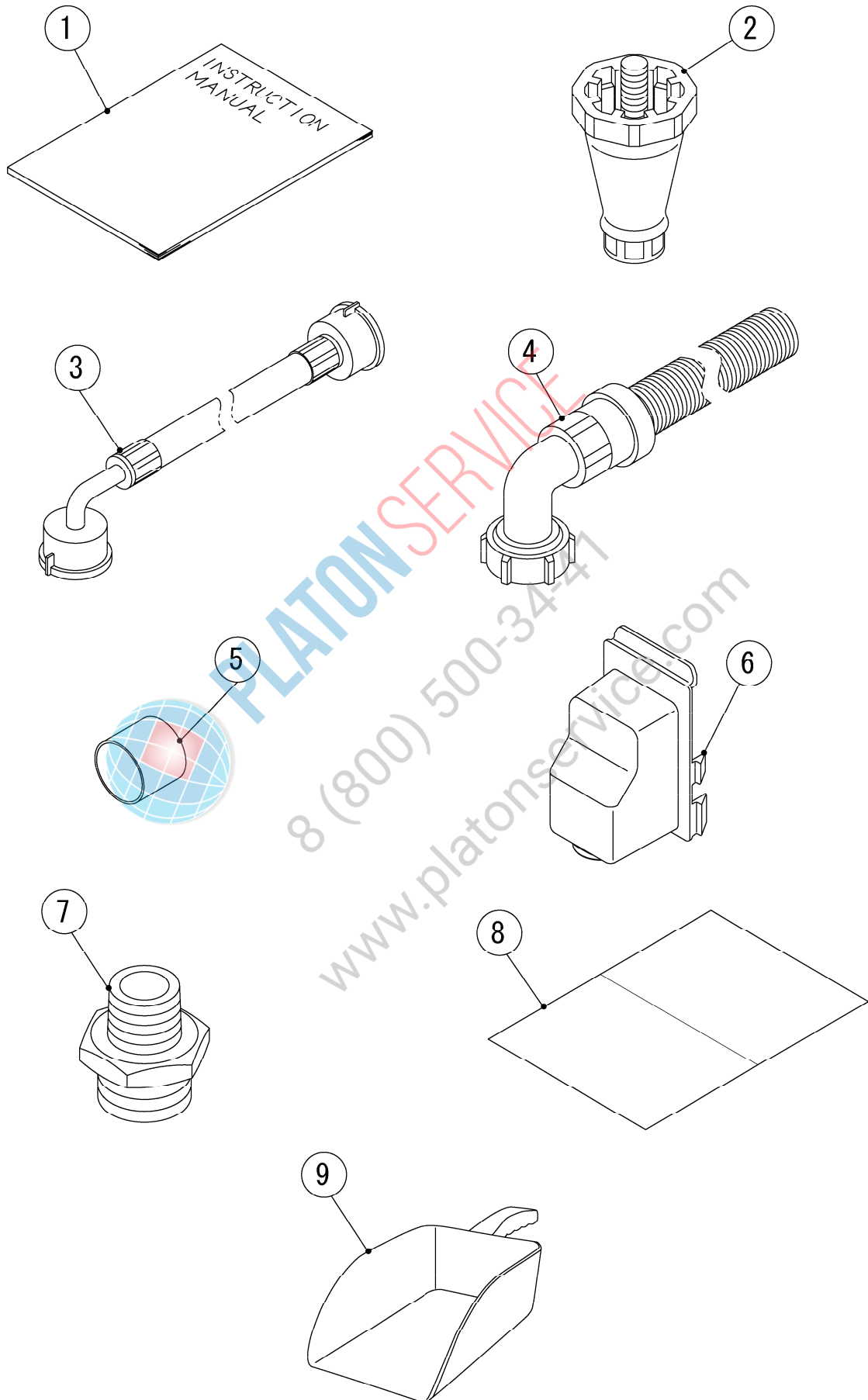
www.platonservice.com



IM-100NE(-21,-23,-C)  
IM-100WNE(-21,-23)  
IM-130NE(-21,-23)  
IM-130WNE(-23)

### N. ACCESSORIES

(B-1) and later



HE,GRAM

MODEL: <b>IM-130NE(-21,-23)</b> <b>IM-130WNE(-23)</b>		TITLE: <b>N.ACCESSORIES</b>					
INDEX NO.	DESCRIPTION	MATERIAL OR MODEL NUMBER	PART NUMBER	REQ'D NUMBER			
				A-1 B-0	B-1,C-0 D-0,E-0		
1	INSTRUCTION MANUAL		L1E1EC201	1	1		
2	LEG		446729-01	4	4		
3	INLET HOSE		P03534-01	1	1		
		(130WNE,-23)		2	2		
4	OUTLET HOSE		452365-01	1	1		
		(130WNE,-23)		2	2		
5	CAP		417323-01	1	1		
6	COVER - CONNECTOR	(130NE,-21,-23)	2X0271P01	1	1		
7	ADAPTOR	(130WNE,-23)	450724-01	2	2		
8	INSTRUCTION SHEET	(130WNE,-23)	121594L01	1	1		
9	SCOOP		P00314-01	1	1		



**PLATON SERVICE**  
 8 (800) 500-34-41  
 www.platonservice.com